

28 GHz Monolithic Doherty Power Amplifier using GaN

Background

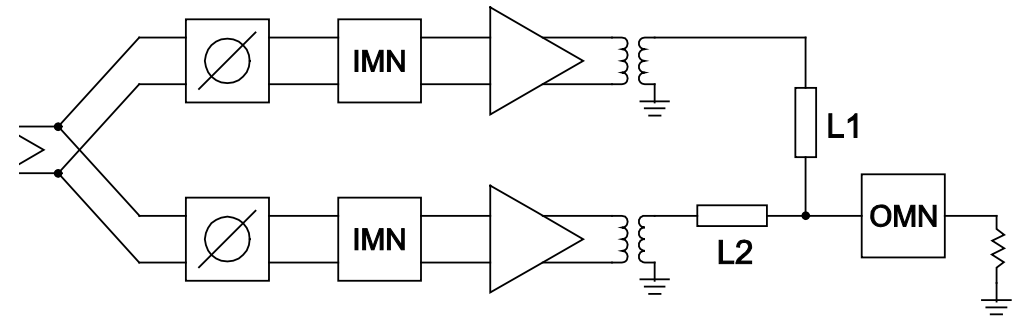
Power amplifier (PA) is one of the critical components for a transceiver and it typically consumes a lot of power leading to low efficiency. To improve efficiency, Doherty type design has been widely used. In this thesis, we are going to study monolithic Doherty PAs using GaN technology.

Tasks

Investigate, design and implement a Doherty PA

The tasks may involve :

- Paper survey
- Design
- Implementation and Layout
- Post-layout simulation
- (opt. Measurement)



Contact

Dr. Muh-Dey Wei
Kopernikusstraße 16, 52074 Aachen
ICT cubes, 638
+49 241 80 24658
muh-dey.wei@hfe.rwth-aachen.de
www.hfe.rwth-aachen.de